



GB 902

LIST OF THE EXPLODED VIEWS



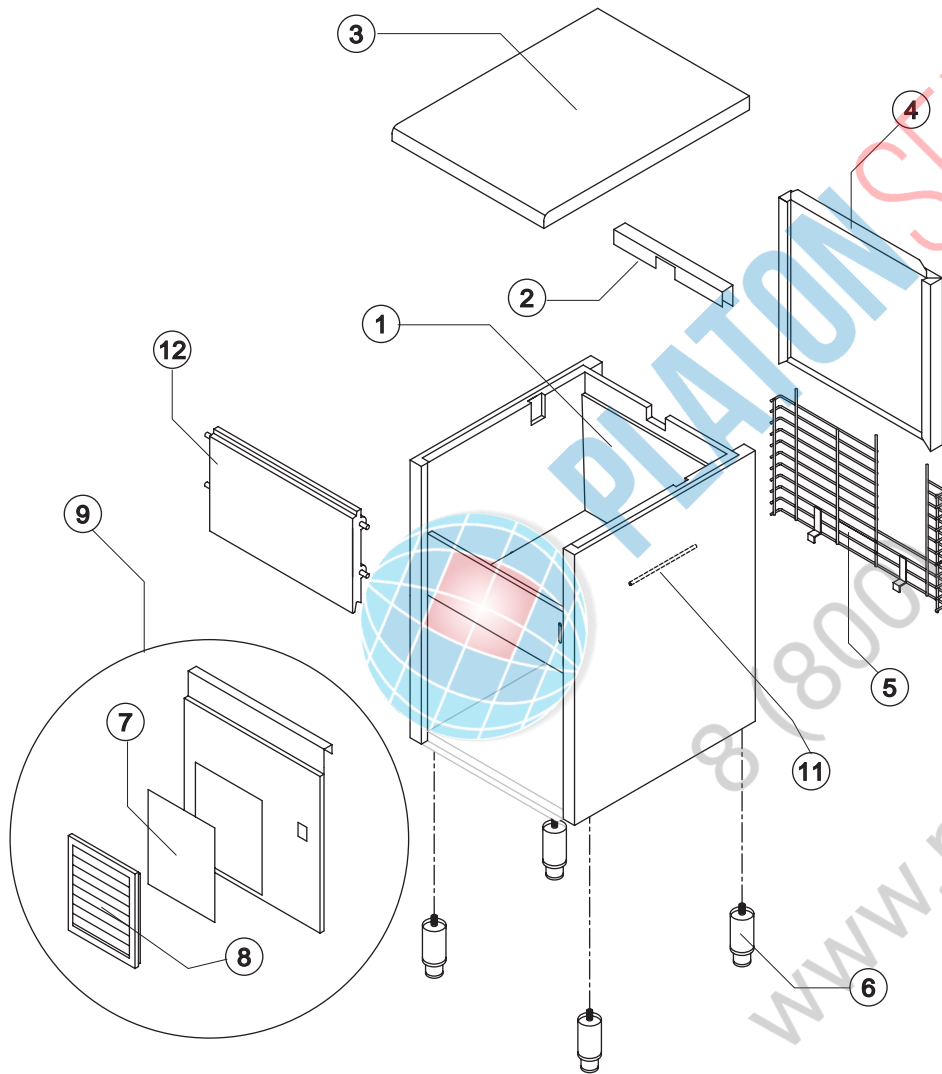
SHELL ASSY

COOLING SYSTEM

EVAPORATOR

HYDRAULIC CIRCUIT

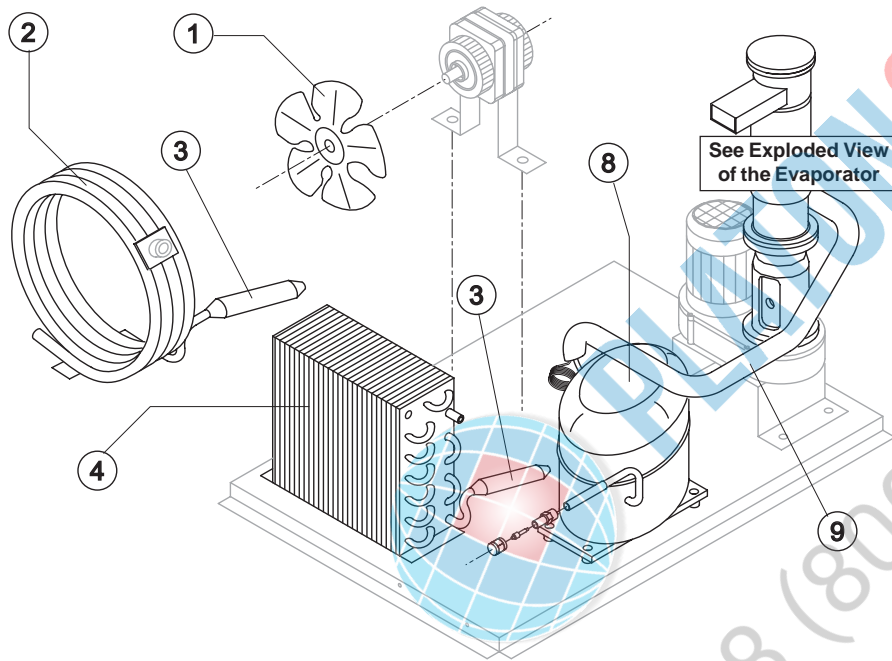
ELECTRIC PARTS



Ref.	Spare Description	Code	
1	Foamed Cabinet Assy	See Table	
2	Cover for Ice Exhaust	22590	
3	Top Assembly	C22689	
4	Rear Panel Assembly	C21215	
5	Rear Grid	D12014	
6	Adjustable Stainless Steel Foot	20613	
7*	Filtering Panel	18106	
8	Frame + Grid & Filter	C10205	
9	Front Grid Panel	C22507	
11	Bulbe-holder Pipe	Current Version	20521
11	Bulbe-holder Pipe	Till s/n. 443562	20522
12	Door Assy	C10297	

Ref. 1 - Foamed Cabinet Assy

Condensation	Code
Air	C11096A
Water	C11096W



Common Parts

Ref.	Spare Description	Code
3*	Molecular Drier	14009
8	Compressor	See Table
9	Suctin Line	for the spare parts code give us the s/n.

Parts for Air-Cooled Version Only

Ref.	Spare Description	Code
1	Sucking Fan	See Table
4	Air Condenser	20283

Parts for Water-Cooled Version Only

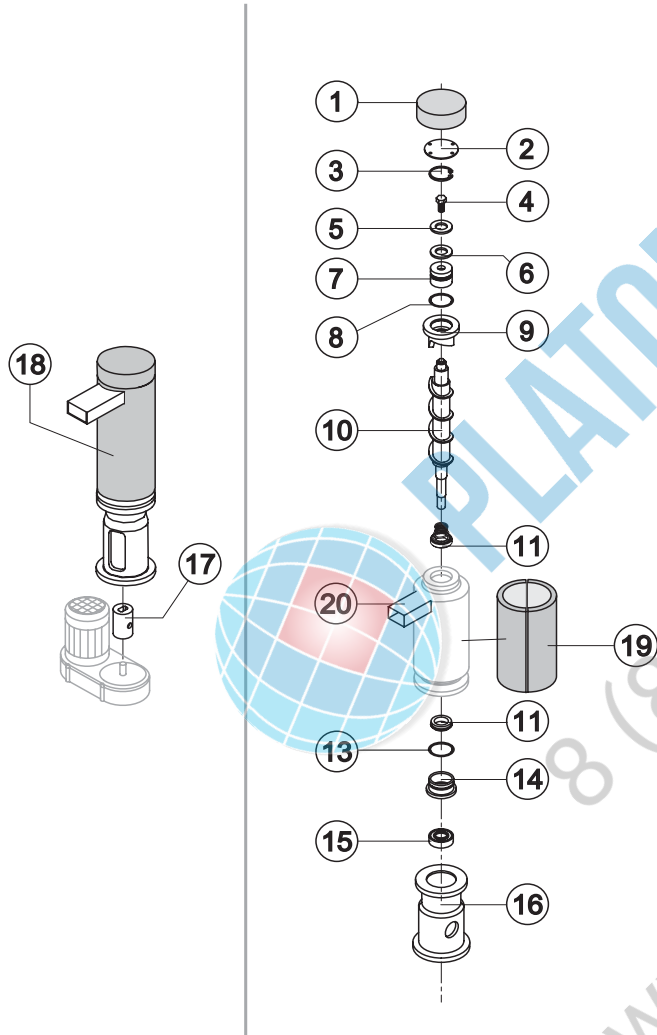
Ref.	Spare Description	Code
1	Sucking Fan	10213
2	Water Condenser	14057

Ref. 1 - Sucking Fan

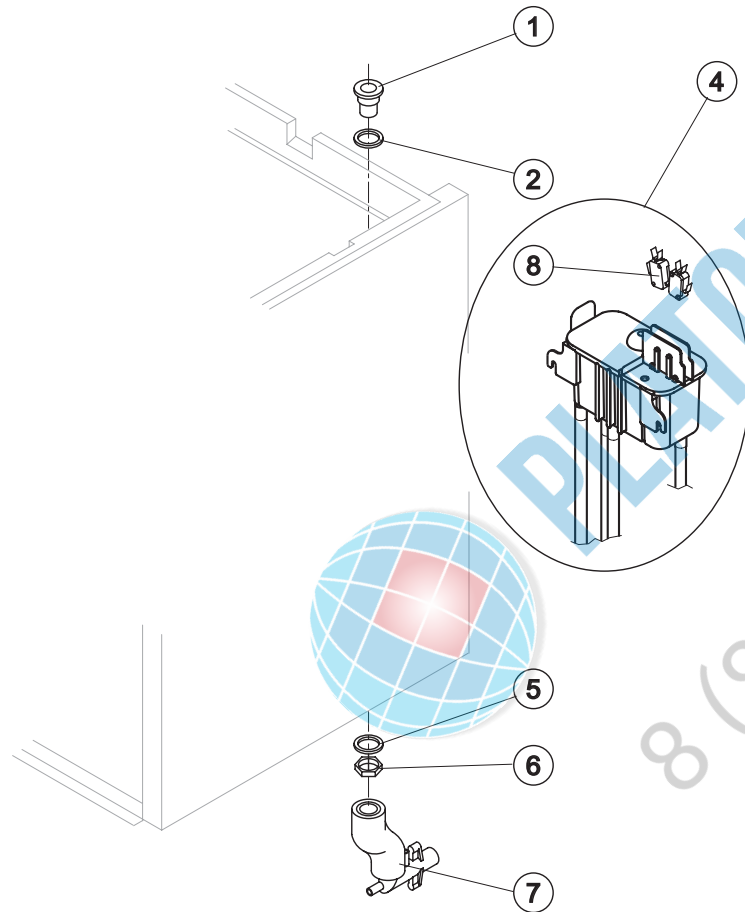
Voltage	Code
220-240V ~ 50Hz	20096
220-230V ~ 60Hz	20095
110-115V ~ 60Hz	20095

Ref. 8 - Compressor

Voltage	Code
220-240V ~ 50Hz	23985
220-230V ~ 60Hz	23494A
110-115V ~ 60Hz	231212



Ref.	Spare Description (from s/n. 238344)	Code
1	Insulating Cap	18170
2	Closing Disk	22825
3	Seeger	20043
4	Stainless Steel Screw	20663
5	Shimming Disk	22826
6	Self-Lubricating Disk	20631
7	Stainless Steel Thrust Bearing	20686
8	OR Gasket 3087	20688
9	Ice Breaker	201236
10	Auger	20783
11	Ceramic Seal	20937
13	OR Gasket 3162 NBR70	20429
14	Reduction Ring	20785
15	Stainless Steel Bearing	20782
16	Flange	20629
17	Joint	D20784
18	Evaporator Assy	C11140
19	Insulating Cap	Current Version 18267
19	Insulating Cap	Till s/n. 829709 18171
20	ABS Ice exhaust assembly	From s/n. 829710 C10781



Common Parts

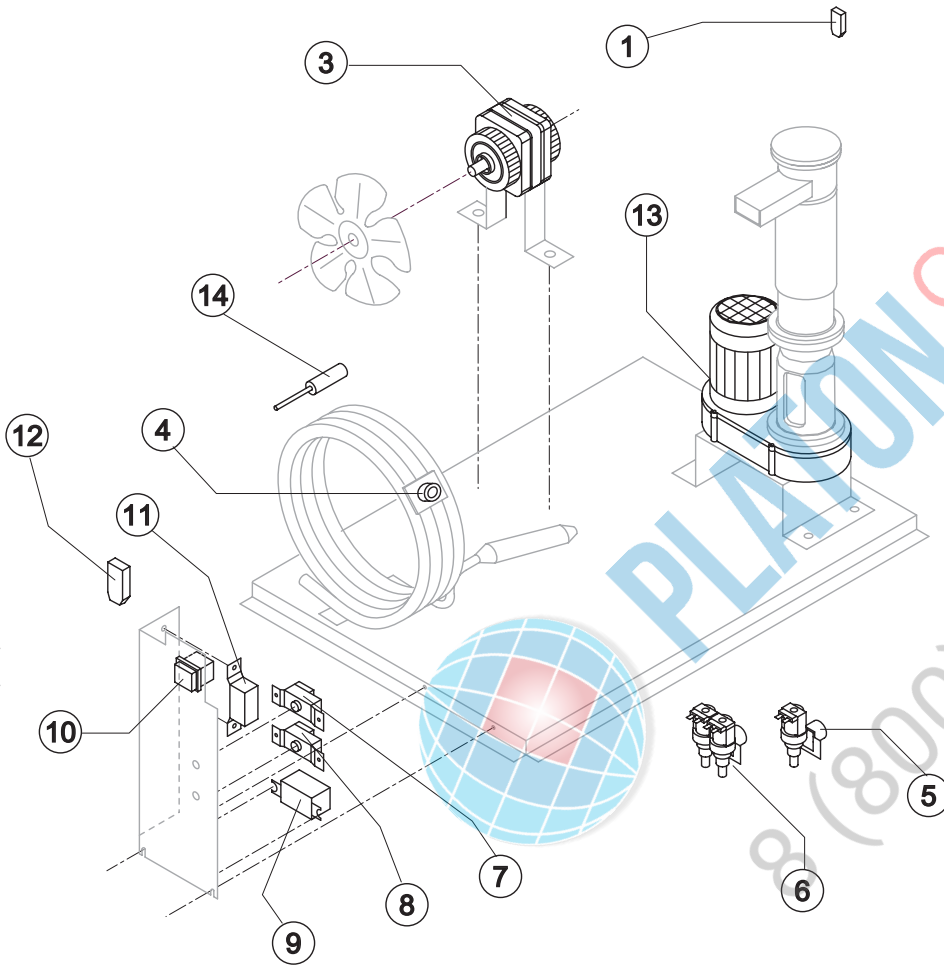
Ref.	Spare Description	Code
1	Water Outlet Nipple	10472
2	Silicone Gasket	13219
4*	Double Switch Basin Assembly	C10704
5	Semirigid Polyethylene Gasket	13007
6	Bin Discharge Nut	10096
8	Microswitch	23055

Parts for Air-Cooled Version Only

Ref.	Spare Description	Code
7	Discharges Manifold	C10235

Parts for Water-Cooled Version Only

Ref.	Spare Description	Code
7	Discharges Manifold	C10240



Common Parts

Ref.	Spare Description	Code
1	Anti Radio Interference Filter	Only 220V ~ 50/60Hz C23457
3*	Fan Motor	See Table
7*	Bin Thermostat	R23005
8*	Evaporator Thermostat	Till s/n.613004 R23034
9*	Relay	See Table
10*	Green Light Switch (On-Off)	23327
11*	Condenser Pressure Switch	23175
12	Anti Radio Interference Filter	Only 220V ~ 50/60Hz C23459
13	Gearmotor	See Table
14	Low pressure safety switch	From s/n. 613005 23909

Parts for Air-Cooled Version Only

Ref.	Spare Description	Code
5*	1 Way- Water Inlet Valve	See Table

Parts for Water-Cooled Version Only

Ref.	Spare Description	Code
4*	Safety Thermostat	C23114
6*	2 Ways- Water Inlet Valve	See Table

Rev. 16 - 12/03/2019

Ref. 6* - 2 Ways-Water Inlet Valve

Voltage	Code
220-240V ~ 50Hz	23116
220-230V ~ 60Hz	23116
110-115V ~ 60Hz	23322

Ref. 9* - Relay

Voltage	Current Version	till s/n. 699275
220-240V ~ 50Hz	23190	23190
220-230V ~ 60Hz	23190	23190
110-115V ~ 60Hz	231099	23557

Ref. 13 - Gearmotor

Voltage	Current Version
220-240V ~ 50Hz	231030
220-230V ~ 60Hz	231030
110-115V ~ 60Hz	231056

Ref. 3* - Fan Motor

Voltage	Code
220-240V ~ 50Hz	23029
220-230V ~ 60Hz	23029
110-115V ~ 60Hz	23683

Ref. 5* - 1 Way- Water Inlet Valve

Voltage	Code
220-240V ~ 50Hz	23115
220-230V ~ 60Hz	23115
110-115V ~ 60Hz	23410